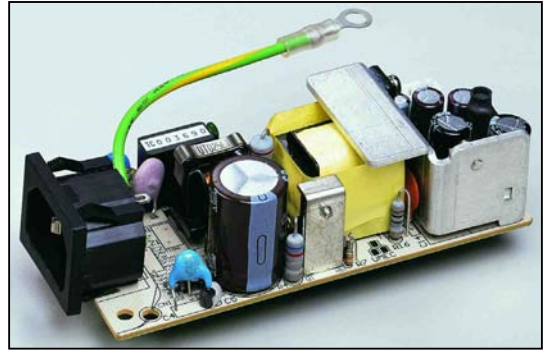


UMEC International Corporation

UP0202D Series

22Watt Open Frame Switchers

Green Product
RoHS



- ◆ Universal Input 90 to 264 VAC
- ◆ EMI Meets FCC/CISPR 22 Class B
- ◆ RoHS Compliant



SPECIFICATIONS

All specifications are typical at nominal line, full load and 25°C unless otherwise noted.

INPUT SPECIFICATIONS

Input Voltage Range 90-264VAC
Input Frequency 47-63 Hz
Inrush Current 60A max.(Cold Start)

GENERAL SPECIFICATIONS

Hold-up Time 16mS typ.
Efficiency 68% typ.
Leakage Current 3.0mA max.
Short Circuit Protection Continuous
Overvoltage Protection Dual output
Continuous Output Power 22W max.
Hi-pot Isolation: Input / Output 4242 VDC

ENVIRONMENTAL SPECIFICATIONS

Operating Temperature Range 0°C to 70°C
Derating 50°C to 70°C 2%/°C
Temperature Coefficient ±0.02%/°C
Storage Temperature Range -40°C to +85°C
Humidity, Non-Condensing 0 to 95% RH
Cooling Free- Air Convection
EMI Meets FCC/CISPR 22 Class B Specification



UMEC International Corporation
2539 West 237th Street, Suite A
Torrance, California 90505 USA

www.umecintl.com
Tel: 310-326-7072
Fax: 310-326-7058

UMEC International Corporation

OUTPUT SPECIFICATIONS

Model Number	Output Voltage (Volts)	Output Current (Amps)			Peak ¹ (Amps)	Ripple ² P-P (mV)	Total Regulation ³
		Min.	Rated	Max.			
UP0202D-01(I)()	+3.3V (V1)	0.5	5.0	5.0	6	50	±3%
	+5V (V2)	0	1.0	1.0	1.2	50	±5%
UP0202D-02(I)() ⁴	+3.3V (V1)	0.5	4.0	5.0	6	50	±3%
	+12V (V2)	0.1	0.7	1.0	1	120	±5%

NOTES:

1. Peak output current lasting less than one minute with duty factor less than 5%. During peak loading, voltage may exceed regulation limits and total output power is 26W max..
2. Add a 0.1uF ceramic capacitor and a 10uF E.L. capacitor to the output cable. Peak to peak and RMS metering equipment shall have a 20 MHz response with probes and cables maintaining frequency response from 200 Hz to 100MHz bandwidth. Output ripple and spikes are measured directly at the output terminals of the power supply without the use of the probe ground clip.
3. Total regulation is defined as the static output regulation at 25°C, including initial tolerance, line voltage within stated limits, but when V2 is maximum load and V1 is ≤ 1/10 maximum load, the total regulation will be ±10%. V1 must have a minimum of 10% maximum load, for V2 to supply maximum load.
4. UP0202D-02(I)() is safety pending.

PHYSICAL SPECIFICATIONS

Weight: 150g

Pin	Input voltage	Input voltage	Input voltage
L&N	90-264 VAC	90-264 VAC	90-264 VAC
UP0202D-0X	UP0202D-0XI	UP0202D-0XI1	UP0202D-0XI2
CN1 input connector Molex 09-65-2058 with second and fourth pin removed	INALWAYS 0711-2 or EQUIVALENT	INALWAYS 0707-2 or EQUIVALENT	INALWAYS 0714 or EQUIVALENT
Molex mating connector Molex 5195 series housing with 5194 series crimp terminals			

CN2 output connector Molex pin 67280-0500		
Model		
Pin	UP0202D-01(I)()	UP0202D-02(I)()
1	+5V	+12V
2	+3.3V	+3.3V
3		
4	COMMON	COMMON
5		
Molex mating connector Molex 67261 series housing with 67262 series crimp terminals Recommend: Output cable 20 AWG used		

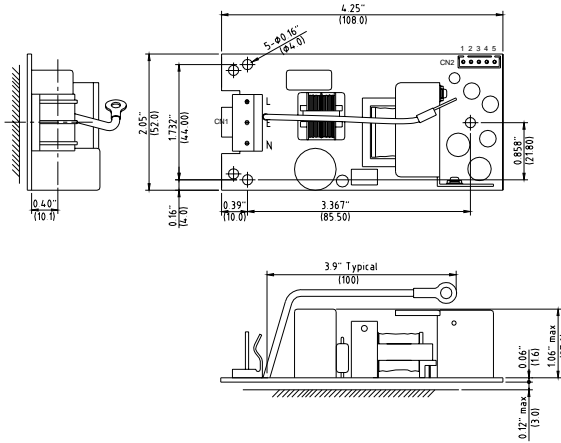


UMEC International Corporation
2539 West 237th Street, Suite A
Torrance, California 90505 USA

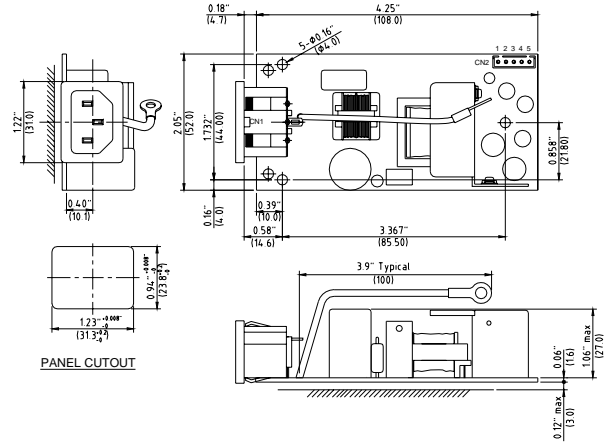
www.umecintl.com
Tel: 310-326-7072
Fax: 310-326-7058

UMEC International Corporation

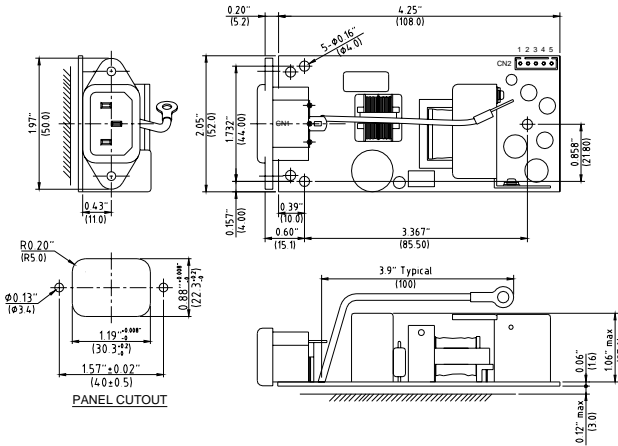
UP0202D-XX



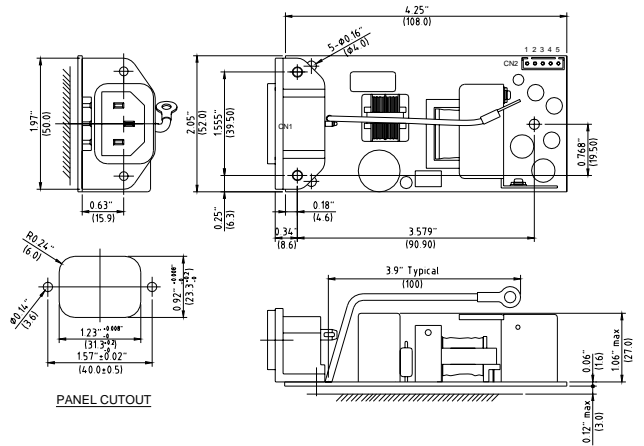
UP0202D-XXI



UP0202D-XXI1



UP0202D-XXI2



NOTES:

1. All dimensions in inches (mm)
2. Tolerance .XX=±0.04", .XXX=±0.010"



UMEC International Corporation
 2539 West 237th Street, Suite A
 Torrance, California 90505 USA

www.umecintl.com
 Tel: 310-326-7072
 Fax: 310-326-7058