

UMEC International Corporation

UP0301B (I)() SERIES

26 - 48 Watt AC/DC Open Frame

Green Product
RoHS

- ◆ Universal Input 90 to 264 VAC
- ◆ EMI Meets FCC/CISPR 22 Class B
- ◆ Continuous Short Circuit Protection
- ◆ Designed to Meets UL, CSA, TUV Safety Standards
- ◆ RoHS Compliant



SPECIFICATIONS

All specifications are typical at nominal line, full load and 25°C unless otherwise noted.

INPUT SPECIFICATIONS

Input Voltage Range 90-264VAC
Input Frequency 47-63 Hz
Inrush Current 40A max.(Cold Start)

GENERAL SPECIFICATIONS

Hold-up Time 10mS typ.
Leakage Current 3mA max.
Short Circuit Protection Continuous
Continuous Output Power 30W max.
Hi-pot Isolation: Input / Output 4242 VDC

ENVIRONMENTAL SPECIFICATIONS

Operating Temperature Range 0°C to 70°C
Derating 50°C to 70°C 2%/°C
Temperature Coefficient ±0.02%/°C
Storage Temperature Range -40°C to +85°C
Humidity, Non-Condensing 0 to 95% RH
Cooling Free- Air Convection
EMI Meets FCC/CISPR 22 Class B Specification



UMEC International Corporation
2539 West 237th Street, Suite A
Torrance, California 90505 USA

www.umecintl.com
Tel: 310-326-7072
Fax: 310-326-7058

UMEC International Corporation

OUTPUT SPECIFICATIONS

Model Number	Output Voltage (Volts)	Output Current (Amps)		Max Power (Watt)	Efficiency (typ.)	Ripple ¹ P-P (mV)	Total Regulation ²
		Min.	Rated				
UP0301B-03(I)	3.3	0	8	26.4	70%	50	±3%
UP0301B-05(I)	5	0	6	30	72%	50	±5%
UP0481A-48(I)	48	0	1	48	82%	480	±4%

NOTES:

1. Add a 0.1uF ceramic capacitor and a 10uF E.L. capacitor to the output connector. Peak to peak and RMS metering equipment shall have a 20 MHz response with probes and cables maintaining frequency response from 200 Hz to 100MHz bandwidth. Output ripple and spikes are measured directly at the output terminals of the power supply without the use of the probe ground clip.
2. Total regulation is defined as the static output regulation at 25°C, including initial tolerance, line voltage and load current within stated limits.

PHYSICAL SPECIFICATIONS

Weight: 130g

UP0301B-XX	UP0301B-XXI
CN1	AC INLET (C14)
Molex 09-65-2058 with second and fourth pin removed	INALWAYS-0711-2 OR RONG FENG SS-120-PCB PCB mounting
Molex mating connector Molex 5195 series housing with 5194 series crimp terminals	INALWAYS-0707-1-CP PCB mounting
	INALWAYS-0714 PCB mounting
CN2 output connector Molex 07280-0800	
Model	
Pin	UP0301B-XX(I)X
1	+Sense
2	Vo
3	Vo
4	Vo
5	Common
6	Common
7	Common
8	-Sense
Molex mating connector Molex 67261 series housing with 67262 series crimp terminals Recommend: 20 AWG wire used	

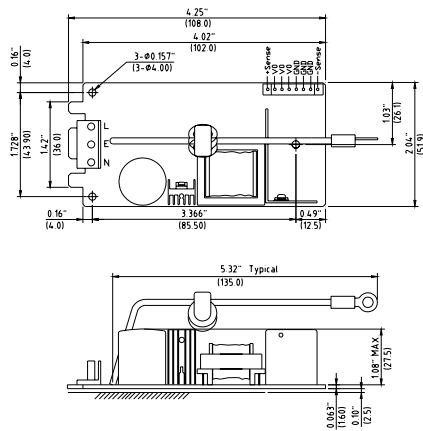


UMEC International Corporation
2539 West 237th Street, Suite A
Torrance, California 90505 USA

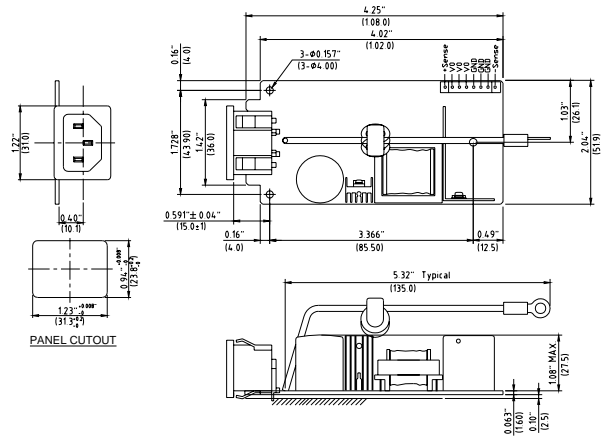
www.umecintl.com
Tel: 310-326-7072
Fax: 310-326-7058

UMEC International Corporation

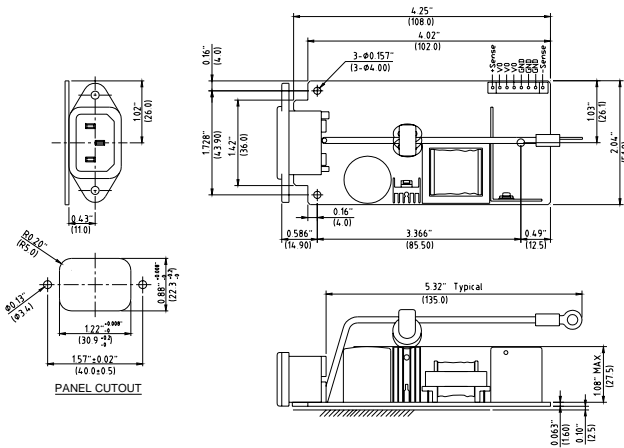
UP0301B-() ()



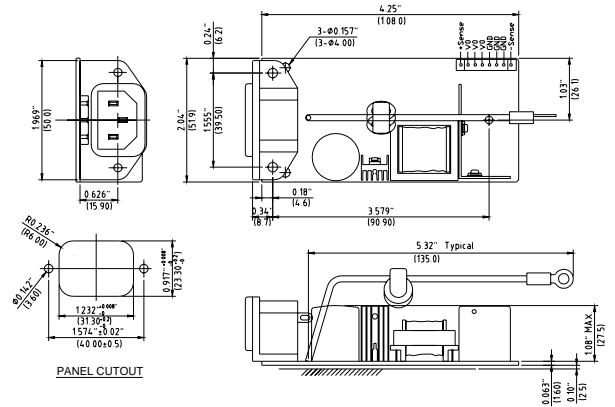
UP0301B-() () I



UP0301B-() () I1



UP0301B-() () I2



NOTE:

1. All dimensions in inches (mm).
2. Tolerance .XX=±0.05", .XXX=±0.020"



UMEC International Corporation
 2539 West 237th Street, Suite A
 Torrance, California 90505 USA

www.umecintl.com
 Tel: 310-326-7072
 Fax: 310-326-7058