

UMEC International Corporation

UP0403S (L)(I) Series

40 Watt Open Frame Switchers

- ◆ Small Size
- ◆ Universal Input 90 to 264 VAC
- ◆ EMI Meets FCC/CISPR 22 Class B
- ◆ MTBF 300Khrs
- ◆ RoHS Compliant

Green Product
RoHS



SPECIFICATIONS

All specifications are typical at nominal line, full load and 25°C unless otherwise noted.

INPUT SPECIFICATIONS

Input Voltage Range 90-264VAC
Input Frequency 47-63 Hz
Inrush Current 40A max.(Cold Start)

GENERAL SPECIFICATIONS

Hold-up Time 16mS typ.
Efficiency 70% typ.
Leakage Current 3mA max.
Short Circuit Protection Continuous
Overvoltage Protection 5VDC output only
Continuous Output Power 40W max.
Hi-pot Isolation: Input / Output 4242 VDC

ENVIRONMENTAL SPECIFICATIONS

Operating Temperature Range 0°C to 70°C
Derating 50°C to 70°C 2%/°C
Temperature Coefficient ±0.02%/°C
Storage Temperature Range -40°C to +85°C
Humidity, Non-Condensing 0 to 95% RH
Cooling Free- Air Convection
EMI Meets FCC/CISPR 22 Class B Specification



UMEC International Corporation
2539 West 237th Street, Suite A
Torrance, California 90505 USA

www.umecintl.com
Tel: 310-326-7072
Fax: 310-326-7058

UMEC International Corporation

OUTPUT SPECIFICATIONS

Model Number	Output ¹ Voltage (Volts)	Output Current (Amps)			Ripple ³ P-P (mV)	Total Regulation ⁴
		Min.	Rated	Max.		
UP0403S-01(L)(I)	+5 (V1)	0	3	5	50	±3%
	+12 (V2)	0	2	3	120	±5%
	-12 (V3)	0	0.2	0.5	120	±5%
UP0403S-02(L)(I)	+5 (V1)	0	3	5	50	±3%
	+12 (V2)	0	2	3	120	±5%
	-5 (V3)	0	0.2	0.5	50	±5%
UP0403S-03(L)(I)	+5 (V1)	0	3	5	50	±3%
	+24 (V2)	0	1	1.5	240	±5%
	-12 (V3)	0	0.2	0.5	120	±5%

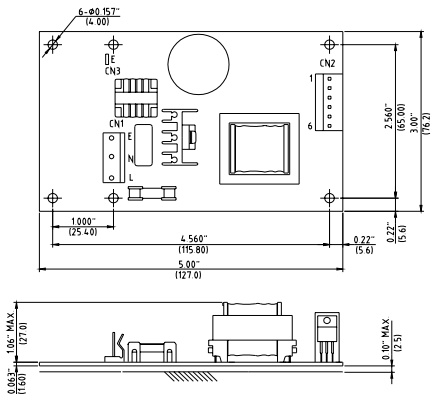
NOTES:

- The output voltage is set to ±1%, with all the outputs at rated load.
- Peak output current lasting less than one minute with duty factor less than 5%. During peak loading (total output power must not exceed 45W), output voltage may exceed regulation limits.
- Add a 0.1uF ceramic capacitor and a 10uF E.L. capacitor to the output cable. Peak to peak and RMS metering equipment shall have a 20 MHz response with probes and cables maintaining frequency response from 200 Hz to 100MHz bandwidth. Output ripple and spikes are measured directly at the output terminals of the power supply without the use of the probe ground clip.
- Total regulation is defined as the static output regulation at 25°C, including initial tolerance, line voltage within stated limits, but when V1 is maximum load and V2 is ≤ 1/10 maximum load, the total regulation will be ±10%. V1 must have a minimum of 10% maximum load, for V3 to supply maximum load.

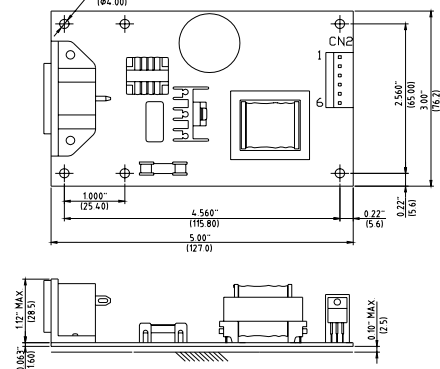
PHYSICAL SPECIFICATIONS

Weight: 200g

UP0403S-XXL



UP0403S-XXI



Pin	Input voltage
L&N	90-264 VAC
UP0403S-XXL	UP0403S-XXI
CN1 input connector Molex 09-65-2058 with second and fourth pin removed	INALWAYS-0714-2 PCB mounting
Molex mating connector Molex 5195 series housing with 5194 series crimp terminals	

CN2 output connector Molex pin 09-65-2068			
Model			
Pin	UP0403S-01(L)(I)	UP0403S-02(L)(I)	UP0403S-03(L)(I)
1	+12V	+12V	+24V
2	+5V	+5V	+5V
3			
4	Common	Common	Common
5			
6	-12V	-5V	-12V
Molex mating connector Molex 5195 series housing with 5194 series crimp terminals			
CN3 (option) input ground tab, tab size 4.8*0.5 (mm)			
With receptacle for 4.8*0.5 (mm)			

NOTES:

- All dimensions in inches (mm)
- Tolerance .XX=±0.05", .XXX=±0.020"



UMEC International Corporation
2539 West 237th Street, Suite A
Torrance, California 90505 USA

www.umecintl.com
Tel: 310-326-7072
Fax: 310-326-7058