



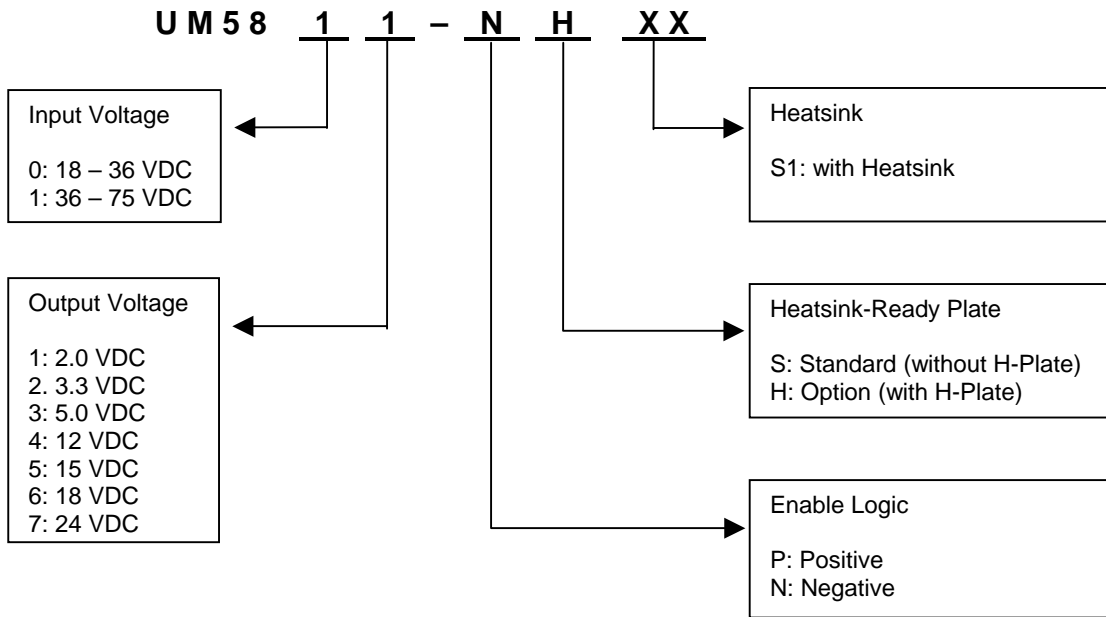
# UMEC International Corporation

| MODEL NUMBER | INPUT VOLTAGE | OUTPUT VOLTAGE | OUTPUT CURRENT | INPUT CURRENT FULL LOAD | TYPICAL EFFICIENCY |
|--------------|---------------|----------------|----------------|-------------------------|--------------------|
| UM5801       | 24 VDC        | 2.0 VDC        | 25 A           | 2480 mA                 | 84%                |
| UM5802       |               | 3.3 VDC        | 25 A           | 3997 mA                 | 86%                |
| UM5803       |               | 5 VDC          | 20 A           | 4790 mA                 | 87%                |
| UM5804       |               | 12 VDC         | 8.4 A          | 4830 mA                 | 87%                |
| UM5805       |               | 15 VDC         | 6.5 A          | 4670 mA                 | 87%                |
| UM5806       |               | 18 VDC         | 5.5 A          | 4742 mA                 | 87%                |
| UM5807       |               | 24 VDC         | 4.2 A          | 4830 mA                 | 87%                |
| UM5811       | 48 VDC        | 2.0 VDC        | 25 A           | 1225 mA                 | 85%                |
| UM5812       |               | 3.3 VDC        | 25 A           | 1955 mA                 | 88%                |
| UM5813       |               | 5 VDC          | 20 A           | 2334 mA                 | 89%                |
| UM5814       |               | 12 VDC         | 8.4 A          | 2272 mA                 | 88%                |
| UM5815       |               | 15 VDC         | 6.5 A          | 2308 mA                 | 88%                |
| UM5816       |               | 18 VDC         | 5.5 A          | 2130 mA                 | 88%                |
| UM5817       |               | 24 VDC         | 4.2 A          | 2386 mA                 | 88%                |

Note: Other output voltage can be supported upon request.

## PART NUMBERING SYSTEM

The part numbering system for UMEC DC-DC converters follow the format shown in the example below.



The first 6 characters comprise the base part number and the last 2 characters indicate available options.

## ORDERING INFORMATION

When ordering UMEC converter, Please ensure that you use the complete 8 character part number consisting of the 6 character base part number and the additional 2 characters for option.



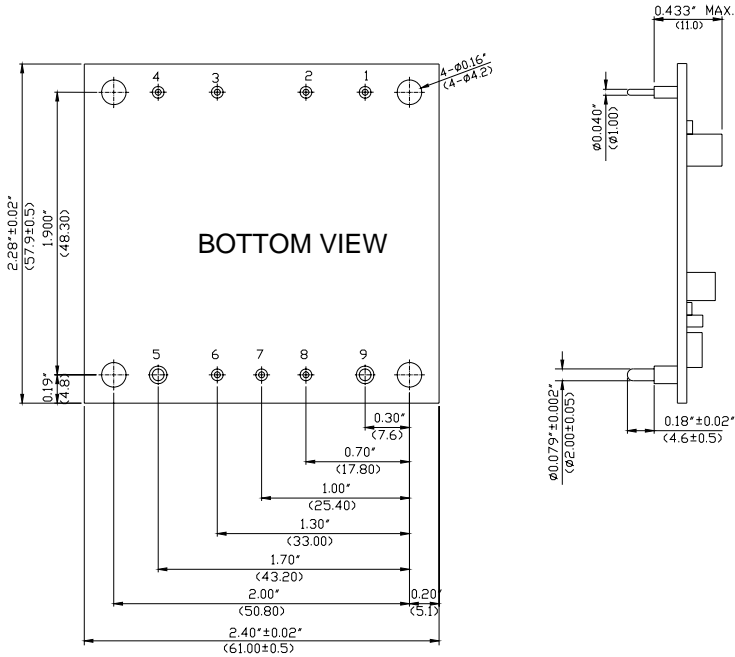
**UMEC International Corporation**  
2539 West 237th Street, Suite A  
Torrance, California 90505 USA

**www.umecintl.com**  
Tel: 310-326-7072  
Fax: 310-326-7058

# UMEC International Corporation

## OUTLINE DIMENSIONS

Without Heatsink-Ready Plate



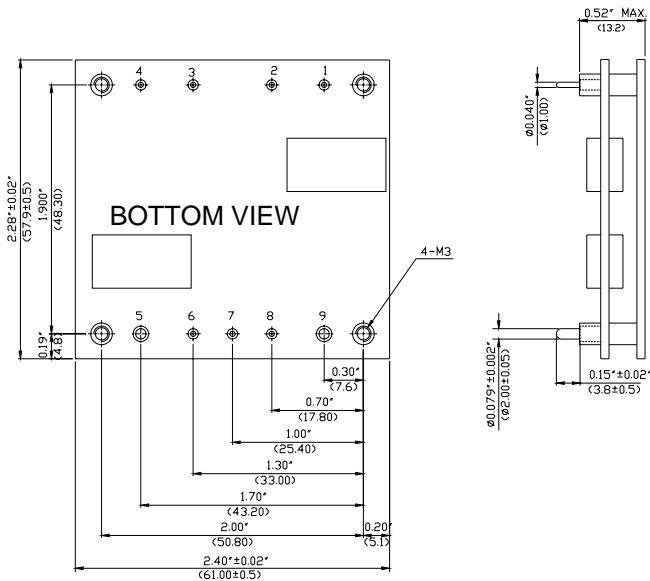
| Pin Connections |                       |
|-----------------|-----------------------|
| Pin             | Function              |
| 1               | -Vin                  |
| 2               | Case                  |
| 3               | Remote On/Off Control |
| 4               | +Vin                  |
| 5               | +Vout                 |
| 6               | +Vsense               |
| 7               | Trim                  |
| 8               | -Vsense               |
| 9               | -Vout                 |

**NOTE:**

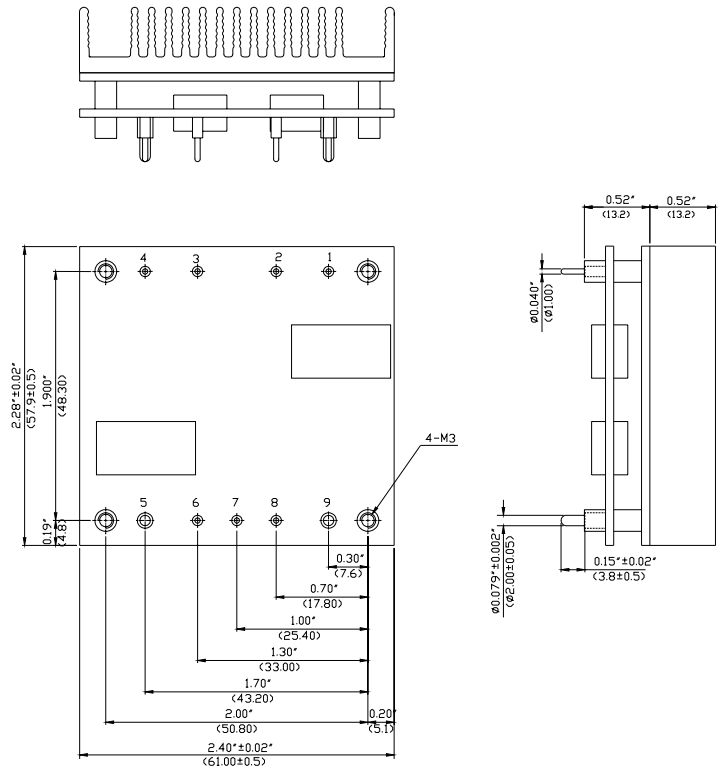
If remote sensing not utilized, output sense pin must be jumped to respective output power pins, for normal operation connect Pin NO.5 to Pin NO.6 and Pin NO.8 to Pin NO.9.

All dimensions in inches (mm)  
Tolerance .xx = ±0.04"  
.xxx = ±0.010"

With Heatsink-Ready Plate



With Heatsink



**UMEC International Corporation**  
2539 West 237th Street, Suite A  
Torrance, California 90505 USA

**www.umecintl.com**  
Tel: 310-326-7072  
Fax: 310-326-7058